



---

---

---

# WARRANTY INFORMATION

Millcreek Manufacturing Company (hereinafter called the Company) warrants to the original Purchaser, the Equipment, manufactured by the Company, to be free from defects in material and workmanship under normal use and service. The Company warrants the construction of the equipment sold herein and will replace at the Company's expense for a period of **two years** from the date of delivery to the original Purchaser, any parts which prove defective as determined under the terms of this Limited Warranty. The Company obligation under this Warranty shall be limited to replacement or repair of any parts thereof, free of charge, to the original Purchaser, provided, however, that the part(s) to be replaced or repaired, shall, within two years after delivery to the original Purchaser, be demonstrated to be defective; which determination shall be made by the Company. The said components or parts must be returned through the Selling Dealer or Distributor directly to the Company with all transportation charges prepaid. Notice of defect shall be furnished in writing to the Seller and to the agent through whom the machinery was purchased, disclosing in full all known defects and failure in operation and use. Reasonable time shall be given to the Seller to remedy any such defects and failures.

Likewise, a **ten (10) year**, pro-rated warranty is provided on the spray-on polyurethane lining (applied to internal sides of unit, excluding exterior non-lined surfaces). The high density, polyethelene floorboards are warranted for the lifetime of the machine from cracking, rotting, splitting, or peeling.

This Warranty does not cover, under any circumstances, any parts, components, or materials which, in the opinion of the Seller and the Company, have been subjected to neglect, misuse, alteration, accident, or repaired with parts other than those manufactured by and obtained from Millcreek Manufacturing Company.

This Warranty does not cover components which are already covered by a separate warranty provided by the supplier of said parts or components.

**This Warranty is made in lieu of all other warranties, expressed or implied, including any warranty of merchantability and fitness for use and purpose and of all other obligations or liabilities on the Company part and any implied warranty. The Company neither assumes nor authorizes any other person to assume for it, any other liability in connection with the sale of this equipment. This Warranty shall not apply to this equipment or to any part thereof which has been subjected to accident, negligence, alteration, abuse, or misuse.**

The Company makes no warranty whatsoever in respect to accessories or parts not supplied by the Company. The term "original Purchaser," as used in this Warranty, shall be deemed to mean that person for whom the equipment is originally supplied. This Warranty shall apply only within the boundaries of the continental United States.

Under this Warranty, the Company cannot guarantee that conditions existing beyond its control will not affect the Company's ability to obtain materials or manufacture necessary replacement parts.

The Company reserves the right to make design changes, or changes in specifications at any time, without any contingent obligation on the part of the Company to purchasers of machines and parts previously sold.

## TRADEMARKS

The Millcreek logo is a trademark of the Millcreek Manufacturing Company. All other brand or product names mentioned are the registered trademarks or trademarks of their respective owners.

## COPYRIGHT

Copyright © 2009 Millcreek Manufacturing Company. All rights reserved. No part of this publication may be reproduced, or distributed without the prior written permission of Millcreek Manufacturing Company, 34 Zimmerman Road, Leola, PA 17540. Subject to change without notice.



---

---

---

# TABLE OF CONTENTS

<b>SECTION 1: INTRODUCTION</b> .....	<b>1-1</b>
Guide to this Manual .....	1-1
For Your Safety... ..	1-1
Safety Labels .....	1-2
Inspection and Warranty Registration .....	1-5
<b>SECTION 2: ATTACHING THE SPREADER TO THE TRACTOR</b> .....	<b>2-1</b>
Connecting the Spreader to the Tractor .....	2-1
Adjusting the Spreader Operating Lever .....	2-1
<b>SECTION 3: OPERATION</b> .....	<b>3-1</b>
Understanding Spreader Operation .....	3-1
The Spreader Operating Components .....	3-1
Guidelines for Loading the Spreader .....	3-1
Operating the Spreader .....	3-2
<b>SECTION 4: MAINTENANCE &amp; ADJUSTMENT</b> .....	<b>4-1</b>
Guidelines for Regular Maintenance .....	4-1
Procedures for Spreader Adjustment .....	4-3
Adjusting the Holding Pawl .....	4-3
Adjusting the Ratchet Drive Chain .....	4-4
<b>APPENDIX A: PARTS REFERENCE</b> .....	<b>A-1</b>
General Spreader Specifications .....	A-1
Ordering Information .....	A-2
Hitch and Wheel Assemblies .....	A-2
Rear Drive Assembly .....	A-4
Front Drive Assembly .....	A-6
Apron Chain and Sprocket Assembly .....	A-8
Safety Shields and Guards .....	A-10
<b>APPENDIX B: SPREADER OPTIONS PARTS REFERENCE</b> .....	<b>B-1</b>
Endgate Assembly .....	B-2
Fines Pan Assembly .....	B-4
Safety Chain Assembly .....	B-6

---

---

---

## SECTION 1: INTRODUCTION

### Guide to this Manual

This manual contains all the information necessary to safely operate and maintain the Millcreek 57G or 77G Ground Drive Spreader. Consult the Table of Contents for a detailed list of topics covered. You'll find this manual's step-by-step procedures easy to follow and understand. Should questions arise, please contact your Millcreek dealer before starting any of the procedures in this manual.

**NOTE: Procedures provided in this manual apply to *both* spreader models (Model 57G and Model 77G) unless specifically noted otherwise.**

Regarding the information presented in this manual:

- All safety, operating, and servicing information reflects current production models at the time of publication of this manual.
- References made to left, right, front, and rear are those directions viewed when facing the unit from the rear.

*Please read all sections in the manual carefully--including the important safety information found in this section--before beginning any assembly/operation procedures; doing so allows you to use your Millcreek Spreader safely with optimal performance.*

---

### For Your Safety...

For your safety, Millcreek documentation contains the following types of safety statements (listed here in order of increasing intensity):

- **NOTE:** A clarification of previous information or additional pertinent information.
- **ATTENTION:** A safety statement indicating that potential equipment damage may occur if instructions are not followed.



**CAUTION:** A safety statement that reminds of safety practices or directs attention to unsafe practices which could result in personal injury if proper precautions are not taken.



**WARNING:** A *strong* safety statement indicating that a hazard exists which can result in injury or death if proper precautions are not taken.



**DANGER!** *The utmost levels of safety must be observed;* an extreme hazard exists which would result in high probability of death or irreparable serious personal injury if proper precautions are not taken.

***The best operator is a careful operator.*** By using common sense, observing general safety rules, and adhering to the precautions specific to the spreader, you, the operator, can promote safe equipment operation.

## For Your Safety... (continued)

In addition to observing the specific precautions listed throughout the manual, **the following general precautions apply and *must be heeded* for proper, safe operation.**



**WARNING:** Keep hands and feet from under the spreader at all times. Ensure that you are safely distanced from any other persons before operating the spreader.



**WARNING:** DO NOT attempt to operate the spreader in areas with steep inclines, ditches, large rocks, stumps, or holes which may endanger the operator by upsetting the tractor or cause damage to the spreader.



**WARNING:** To prevent serious personal injury and to promote safe spreader operation, keep all shields in place during operation. Ensure that all mounting hardware is properly tightened.



**WARNING:** Never clean, adjust, or repair the spreader while the tractor is running.



**WARNING:** Never get off the tractor while it is in motion and/or while the spreader is in operation.



**WARNING:** Never wear loose clothing when operating the spreader as it may become caught in the moving parts of the machine.



**WARNING:** Never allow children or anyone else to ride on the spreader.

**ATTENTION:** For proper and safe operation of the spreader, periodically inspect all parts for excessive wear. Replace worn components with factory-authorized parts.

**ATTENTION:** To prevent the hitch from coming disconnected during operation, use the proper size hitch pin with a safety cotter at all times.

**ATTENTION:** Be sure to use a safety chain when traveling with the spreader on a public roadway.

## **Safety Labels**

Following are the locations and descriptions of all labels on the spreader (labels are identical for both Models 57G and 77G); refer to Figure 1A. Please note that some labels denote model number, model description, etc. while others contain important safety messages.

Each **Safety Label** contains an important safety message starting with a key word as discussed earlier in this section (e.g. ATTENTION, CAUTION, WARNING, DANGER). For your safety and the safe operation of your equipment, review all labels and heed all safety messages as printed on the labels.

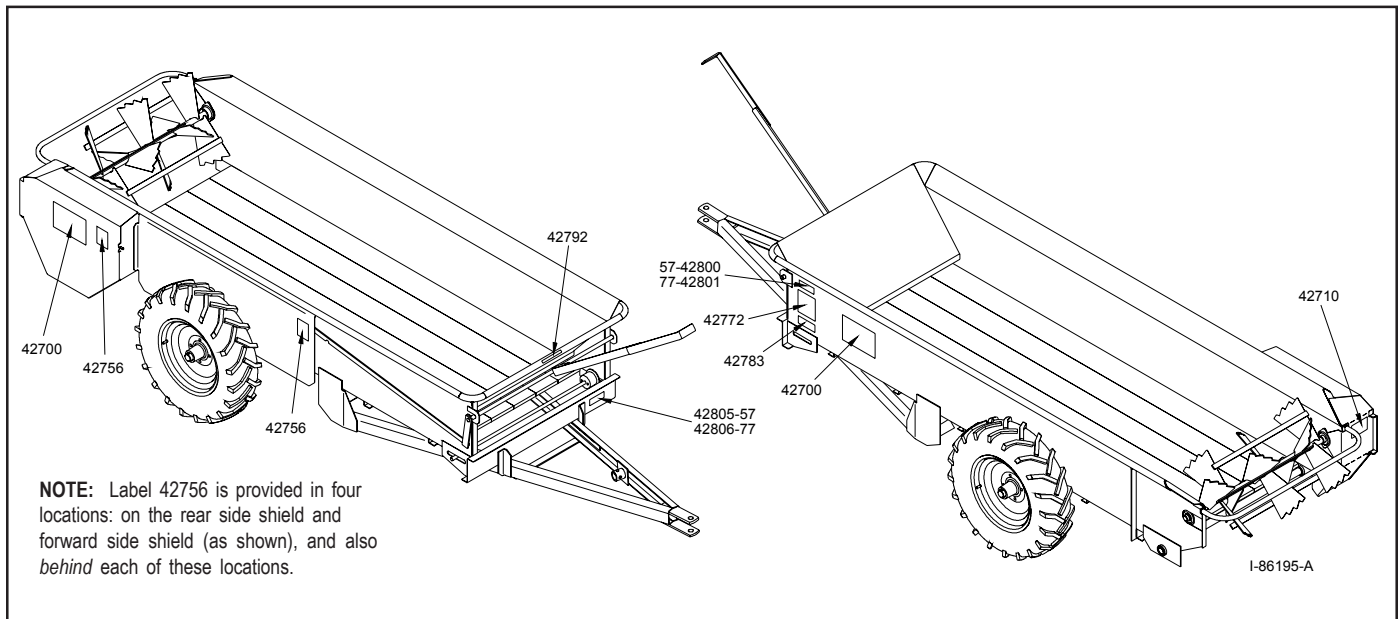
Be sure to keep the safety labels clean and readable. If the labels ever become damaged or illegible, contact your Millcreek dealer for replacements.



**Safety Labels (continued)**

**Spreader Safety Labels**

<u>Label Part #</u>	<u>Description</u>
42792	DANGER - NO riders
42710	WARNING - Flying Debris
42756	WARNING - Entanglement, Do NOT operation without shields
42772	WARNING - Spreader combination safety label - moving parts, read manual
42783	ATTENTION - Do NOT exceed specified speed
42778	Millcreek Logo Label
42800/42801	Spreader Serial Number Label
42805/42806	Spreader Model Number Label



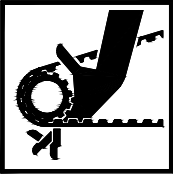
**Figure 1A - Spreader Safety Label Locations**

***For your safety, be sure to locate all safety labels and review their content before proceeding with operating the spreader!***


**Safety Labels (continued)**

 **DANGER NO RIDERS** 42792

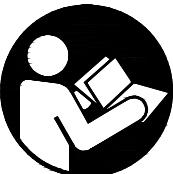
**WARNING**  
Entanglement Hazards

 **Moving parts can crush or cut.**

**STAY CLEAR** of machine while engine is running and/or machine is operating. Keep hands, feet, clothing, and hair away from operating parts.

 **Never** adjust, lubricate, or clean machine while engine is running and/or machine is operating.

**Never** operate machine without safety shields in place.

 **Read and understand** operator's manual and safety labels before operating or servicing the machine.

**Failure to follow these warnings may result in serious injury or death.** 42772

**WARNING**



**Entanglement Hazard.**

**DO NOT OPERATE** without safety shield in place. Moving parts can crush and cut.

42756

**WARNING**

**Entanglement / Flying Debris Hazards.**


**DO NOT STAND** in back of machine while engine is running and/or machine is operating. Rotating beaters and/or flying debris can cause serious personal injury or death.

Approach the rear of the machine **ONLY** when all power sources are shut OFF and all moving parts have stopped. 42710

**ATTENTION**

**DO NOT exceed** 6 mph when spreading.  
**DO NOT exceed** 15 mph when transporting a full load.  
When traveling on public roadways, use a safety chain and adhere to all applicable motor vehicle codes. 42783

## Inspection and Warranty Registration

Most spreader models are shipped from your Millcreek Dealer completely assembled and ready for operation. Inspect your new spreader thoroughly upon receipt to ensure that it has been shipped to you in a satisfactory manner. Immediately notify the freight company and your Millcreek dealer in case of shipping damage, shortage(s), and/or errors.

**NOTE:** If the spreader has not been pre-assembled, please refer to the *Supplemental Assembly Instructions*. Please contact your local Millcreek Dealer for assistance as needed. If you ordered an **optional endgate** and/or **optional fines pan** with your spreader, you may also have to assemble these components on your spreader; refer to the **Assembly Instructions** sheet and/or **Appendix B** at the back of this manual for the corresponding parts drawings.

Following inspection of your new spreader, locate the Millcreek Warranty Card in the literature packet shipped with your spreader. For proper warranty registration, Millcreek requires that you fill out the warranty registration card and return it *within 30 days* to:

MILLCREEK WARRANTY REGISTRATION  
Millcreek Manufacturing Company  
34 Zimmerman Road  
Leola, PA 17540

**For your safety, be sure to locate all safety decals and review their content before proceeding with operating the spreader.**



## SECTION 2: ATTACHING THE SPREADER TO THE TRACTOR

### Connecting the Spreader to the Tractor

1. Back the tractor within a few inches of the spreader hitch.
2. Use the jack provided with your spreader to adjust the height of the spreader hitch so the tractor drawbar matches the height of the spreader hitch.
3. Back the tractor into the hitch until the holes of the spreader hitch and tractor drawbar line up.
4. Fasten the spreader hitch to the drawbar with a hitch pin that fits securely (i.e. so that it will not come out during spreader operation) and lock in place with the safety clip.



**WARNING:** Damage to the spreader or other vehicle, as well as injury to the operator, may occur if a properly-sized hitch pin is not installed as recommended. Note that the installation of the safety clip to hold the hitch pin in place is also required for safe spreader operation.

5. Remove the weight from the jack by lowering the spreader hitch on the drawbar.
6. Swing the jack to its horizontal position and lock it in position to provide maximum ground clearance.

---

### Adjusting the Spreader Operating Lever

Following hook-up of the spreader to the tractor, check the length of the **spreader operating lever** for two critical distances:

- The length of the operating lever should allow for **comfortable access by the operator** (while seated on the tractor).
- The length should also allow for a **minimum five (5) inch clearance** from the rear of the tractor at all times, especially when the tractor and spreader are operating on uneven ground.

1. Position the tractor and spreader on level ground.
2. While seated on the tractor, determine if the lever is within comfortable reaching distance.
3. Raise and lower the lever to determine if the lever would possibly come in contact with the rear of the tractor if the tractor and spreader were on uneven ground (e.g. in a gully).

**NOTE:** The lever must maintain a distance of at least five (5) inches from the rear of the tractor at all times.

4. If it is determined that the lever length needs to be adjusted to accommodate better operator access and/or to maintain a safe operating distance from the rear of the tractor, the lever may be disassembled and its length adjusted as follows:
  - Refer to the **Front Drive Assembly Parts Drawing in Appendix A** at the back of this manual for a detailed view of the spreader operating lever and its component parts.
  - Remove the two (2) bolts that hold the lever components together.
  - Re-position the lever components by aligning the holes to shorten or lengthen the lever as needed.
  - Re-install the two (2) bolts on the lever and tighten securely.
5. Verify that you can comfortably reach the lever while seated on the tractor, then raise and lower the lever to verify the distance from the rear of the tractor. Re-adjust the length of the lever as necessary.



## SECTION 3: OPERATION

### Understanding Spreader Operation

Proper and safe operation of the Millcreek 57G/77G Spreader requires: (1) being familiar with the spreader's operating components and (2) heeding all safety precautions as stated in this manual.

### The Spreader Operating Components

By definition, *the left and right sides of the spreader are determined while sitting on the tractor seat* (i.e. as an operator sits on the tractor seat, the right side of the spreader is over his/her right shoulder, the left side of the spreader is over his/her left shoulder).

The following operating components are included with the **Standard Model 57G/77G** spreaders:

- The adjustable, feather-touch **Spreader Operating Lever** is used to control the operation of the spreader; it engages the chain that drives both the beaters and the apron chain to push the manure toward the back of the spreader for disbursement. Pushing **DOWN** on the operating lever engages operation (ON), while pulling **UP** disengages operation (OFF).
- The **swing-away jack** facilitates hook-up of the spreader to the tractor.
- The **T-rod apron chain** provides reliable material movement in the spreader load after load.

**Optional operating components** (ordered separately) for the Model 57G/77G include:

- The **manual endgate** helps to contain loads between spreading and also shields the operator during spreading.
- The **finer pan** aids in distributing fine materials (e.g. compost) evenly.
- The **safety chain**, which is strongly recommended for use when the spreader is transported on a public roadway.

### Guidelines for Loading the Spreader for Operation

- Millcreek recommends that you *load the spreader from the front toward the back* to facilitate easier unloading.
- **ATTENTION:** NEVER store manure in the spreader between unloading times during critical cold weather months when a frozen load could result in severe equipment damage (i.e. torn floor apron chain).
- **DO NOT** store wet manure in the spreader (or keep the spreader outdoors with manure in it)--doing so will accelerate rusting of the steel.

## Operating the Spreader

**WARNING!** Before proceeding with operation of the spreader, review all safety statements as provided in Section 1 of this manual.



**WARNING:** To prevent serious personal injury, ensure that ALL safety shields are in place on the spreader before starting operation. NEVER operate the spreader without ALL safety shields in place.

**ATTENTION:** In order to obtain proper, aggressive spreading action, *the spreader ground speed must reach a minimum of 3.0 miles per hour--the equivalent of a comfortable walking pace.* (Note that the wheels drive the beater action.) However, spreading at speeds over 6.0 miles per hour (i.e. similar to a very brisk walking pace) can cause excessive wear or damage to the equipment.

**ATTENTION:** Verify that the **spreader operating lever has been set to the proper length** for easy operator access and minimum five (5) inch clearance from the rear of the tractor chassis. Refer to **Section 2** for adjustment instructions, if needed. Failure to properly adjust the lever may result in damage to the spreader during operation.

1. Ensure that the spreader (and tractor) are not in motion (in a stopped position).
2. If you have a spreader with the endgate option, lift the endgate.
3. To engage the apron chain for spreading action, push **DOWN** on the operating lever.
4. Ensure that you are reaching the optimal operating speed for spreading (at least 3.0 mph, but not more than 6.0 mph). Remember that this optimal speed is similar to a comfortable walking pace.
5. When the spreader box is completely unloaded, disengage the apron chain drive by pulling **UP** the operating lever.
6. Refer to Section 4 in this manual for maintenance to be performed following operation of the spreader.

**IMPORTANT!** *After a few hours of initial operation, watch and listen for any loose components. Be aware that it may be necessary to re-tighten hitch hardware and/or wheel bolts; please refer to Section 4 in this manual for the proper torque specifications.*



## SECTION 4: MAINTENANCE & ADJUSTMENT

### Guidelines for Regular Maintenance



**WARNING:** All shields must be replaced after maintenance or adjustment procedures are performed. Failure to do so could result in serious personal injury or death.

Performing regular maintenance on you Millcreek Spreader will help ensure optimal performance. Please follow these guidelines for maintaining your spreader:

- Clean the spreader once a week and before storing the unit for an extended period of time.  
**ATTENTION:** NEVER store manure in the spreader between unloading times during critical cold weather months when a frozen load could result in severe equipment damage (i.e. torn floor apron chain). Storing wet manure in the spreader (or keeping the spreader outdoors with manure in it) will accelerate rusting of the steel.
- Check the spreader each time it is used for loose, bent, broken or missing parts.  
**ATTENTION:** During operation, listen for abnormal sounds which might indicate loose parts or other equipment damage. Correct any parts problems immediately; expanded parts views of all spreader assemblies are provided in the Appendixes at the back of this manual.  
**ATTENTION:** For safe and proper operation of the spreader, adhere to the following specifications for tightening the **hitch hardware**; failure to tighten all hitch hardware securely may result in equipment damage.

<u>Hardware</u>	<u>Torque Specification</u>
1/2"	60 ft. lbs.
3/8"	25 ft. lbs.
5/16"	15 ft. lbs.

- Check that implement tires have adequate air pressure (30 psi). Always use ag-traction implement tires on the drive wheels. Wheel bolts should be torqued to 75 to 80 ft. lbs.
- Inspect the safety chain regularly to check the condition of the links and locking/hooks mechanisms; replace the chain as soon as weakness/breakage is noted.
- Apply chain lube once a month (or as needed) to the drive chains (shown in Figure 4B); use vegetable oil or a common spray lube for chains.
- Apply chain lube once a month (or as needed) to the floor apron chain; use vegetable oil or a common spray lube for chains.

## Guidelines for Regular Maintenance (continued)

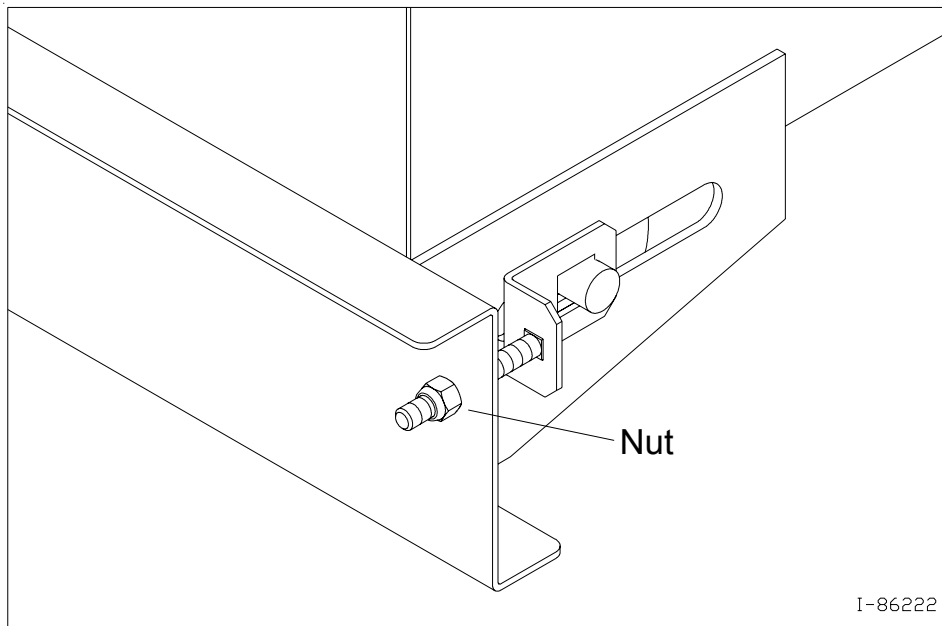
- Periodically check the floor apron chain for proper tension/tightness (refer to Figure 4A).

### **Procedure for checking/adjusting the floor apron chain:**

- a) Check the distance between the apron chain and the bottom of the side sheet at the apron's lowest point (just behind the wheels). *If the distance is more than 6-1/2 inches, the chain must be tightened.*

**NOTE: The recommended floor apron chain tension is achieved when the apron's lowest point is 4-1/2 to 5 inches below the frame (behind the tire).**

- b) Use a 9/16" wrench to tighten the adjustment nut on the lower left/right front of the spreader box as shown in Figure 4A. Observe the chain positioning with respect to the floor/apron. ***Make sure that the chains on each side of the apron are equally taut.***



**Figure 4A - Adjusting the Floor Apron Chain for Proper Tension**

## Procedures for Spreader Adjustment

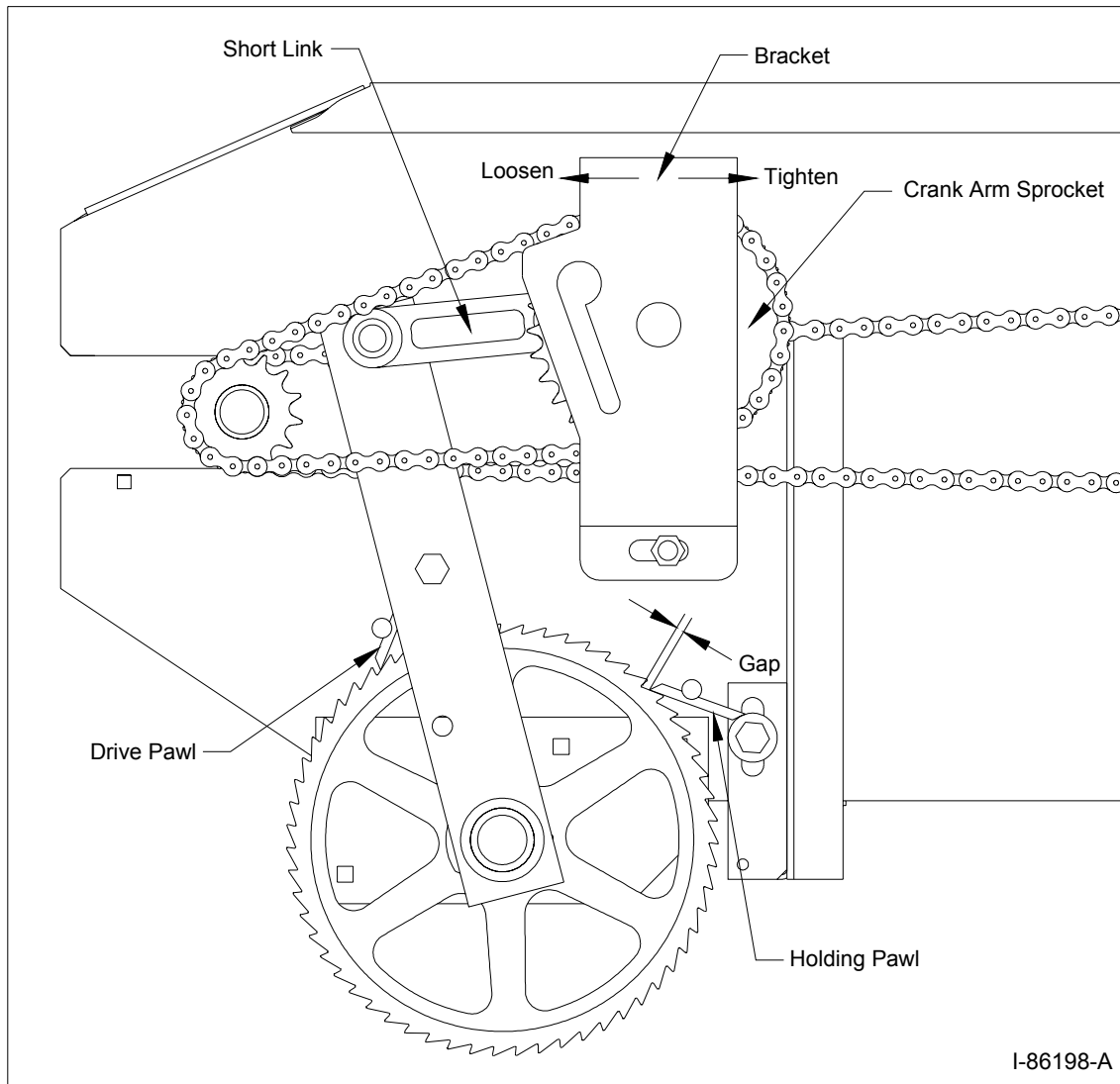
Problems with spreader operation may indicate that certain adjustments are required to restore proper functioning. The following procedures address common problems which may be encountered in spreader operation.

### Adjusting the Holding Pawl

If the apron chain is not advancing properly, the holding pawl may need to be re-adjusted to restore proper apron chain speed and functioning.

#### **To Reset the Holding Pawl (refer to Figure 4B):**

- (a) Rotate the crankarm sprocket until the short link is in the horizontal rearward position.
- (b) Loosen the nut that secures the holding pawl.
- (c) Adjust the holding pawl to obtain a 1/8" gap between the end of the pawl and bottom of the notch as shown in Figure 4B. Tighten the nut to secure the holding pawl.



**Figure 4B - Adjusting the Holding Pawl and Ratchet Drive Chain**

## Procedures for Spreader Adjustment (continued)

### Adjusting the Ratchet Drive Chain

**NOTE:** The ratchet drive chain is factory-set for the proper operating tension and should not require adjustment. The following instructions are provided for reference only, in rare cases where re-adjustment or replacement may become necessary.

**Refer to Figure 4B** on the previous page for an illustration of the ratchet drive chain and related components. The chain should be snug, but not too tight. If the chain is too tight, it may cause excessive wear on the bushings in the crank arm sprocket (resulting in premature failure).

- **To check the ratchet drive chain:** push on the middle of the span (either top or bottom) with one finger (about 20 lbs. pressure) -- the chain should deflect about 3/8 to 1/2 inch. A straight-edge ruler may be helpful in verifying the proper setting.
- **To adjust the ratchet drive chain (refer to Figure 4B):** adjust the **bracket position** by loosening the two (2) 1/2" bracket bolts and sliding the bracket forward or backward (to tighten or loosen) as shown. Following adjustment of the bracket position, verify that the drive chain is set to the proper tension as specified above.

**NOTE:** The longer ground drive chain is spring tensioned and is NOT adjustable.

## APPENDIX A: PARTS REFERENCE

The following information is provided for your reference in understanding how the spreader is assembled and how spare parts can be identified and ordered properly.

### General Spreader Specifications

	Model 57G	Model 77G
<b>Capacity, <i>struck</i></b>	30 cubic ft.	39 cubic ft.
<b>Capacity, <i>heaped</i></b>	56 cubic ft.	72 cubic ft.
<b>Body Length</b>	89.5 inches	114 inches
<b>Body Width</b>	37 inches	37 inches
<b>Body Height</b>	17.5 inches	17.5 inches
<b>Overall Length</b>	11 ft., 6 inches	13 ft., 6 inches
<b>Overall Width</b>	58 inches	58 inches
<b>Overall Height</b>	34 inches	34 inches
<b>Loading Height</b>	34 inches	34 inches
<b>Construction</b>	All steel, poly floor	All steel, poly floor
<b>Apron Chain</b>	T-Rod 11/32	T-Rod 11/32
<b>Tires (30 psi)*</b>	215/75R15 Ag-Traction	215/75R15 Ag-Traction
<b>Beater Bearings</b>	Sealed ball bearings	Sealed ball bearings
<b>Beater Drive</b>	RC50 roller chain	RC50 roller chain
<b>Apron Drive</b>	Ratchet	Ratchet
<b>Body Finish</b>	Powder coating	Powder coating
<b>Weight (with tires)</b>	660 lbs.	740 lbs.
<b>Tractor Weight and HP required</b>	1200 lbs. and 18 HP & greater	1400 lbs. and 22 HP & greater

\*NOTE: The tires are mounted in reverse direction of "normal" installation.

## Ordering Information

When ordering replacement parts, please provide the following information to your local Millcreek dealer:

- **Model and Serial Number** of the unit (located on the left side towards the front of the spreader; see **Section 1** in this manual for an illustration of specific label locations)
- **Part Number and Description** as it appears on the following drawings/parts lists

## Hitch and Wheel Assemblies

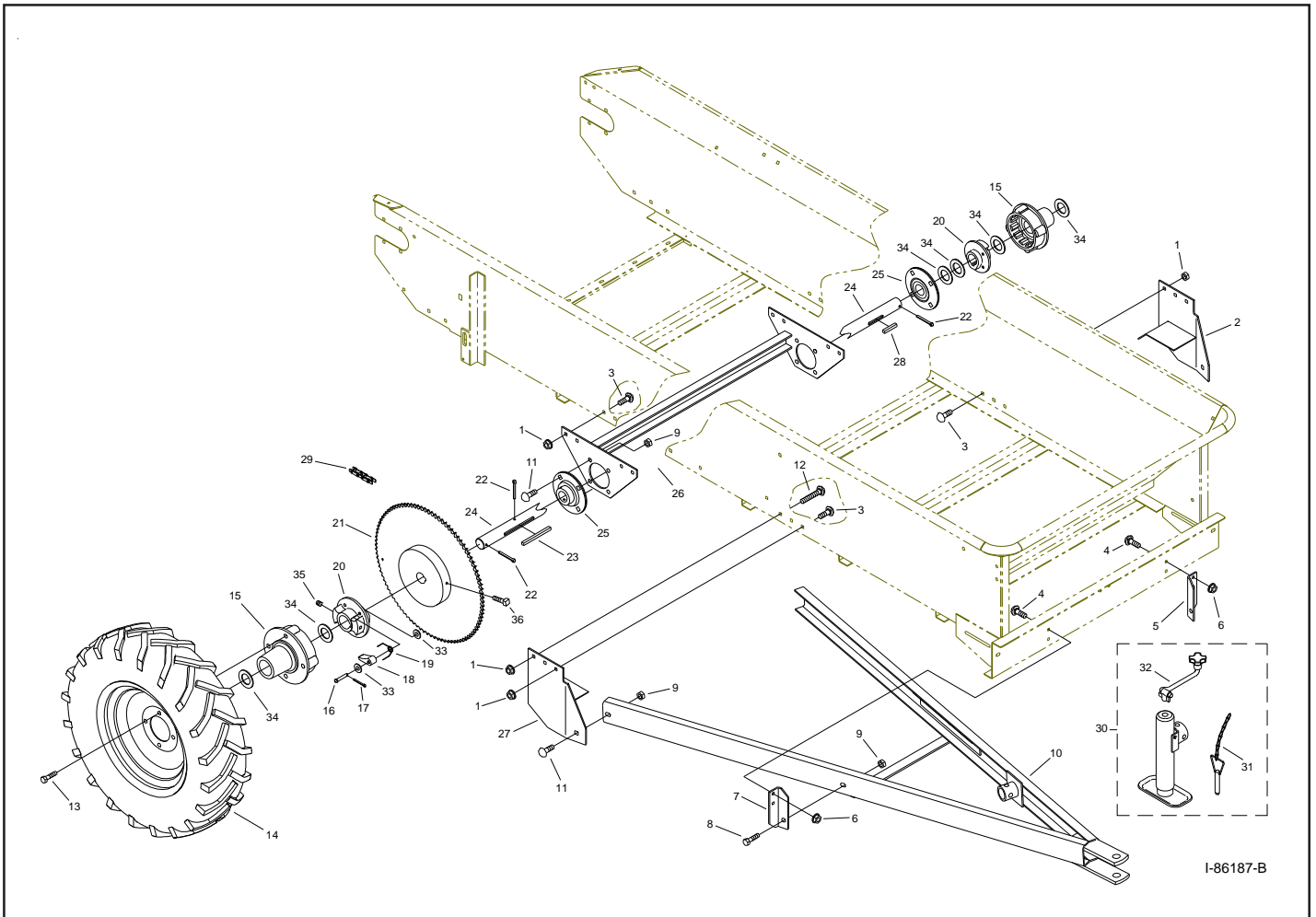


Figure A1 - Hitch and Wheel Assembly Parts Detail

## Hitch and Wheel Assemblies (continued)

<u>Item #</u>	<u>MC Part #</u>	<u>Qty.</u>	<u>Component Description</u>
1	34009	14	3/8 Flange Nut
2	261204	1	Left Hitch Bracket
3	34191	14/13	3/8 x 3/4 Carriage Bolt
4	34274	4	5/16 x 3/4 Carriage Bolt
5	261408	1	Left Front Hitch Bracket
6	34099	4	5/16 Flange Nut
7	261409	1	Right Front Hitch Bracket
8	34085	2	1/2 x 1 Flange Bolt
9	34384	12	1/2 Flange Nut
10	261199	1	Hitch
11	34112	10	1/2 x 1 Carriage Bolt
12	34389	0/1	3/8 x 3-3/4 Carriage Bolt
13	34386	8	Lug Bolt
14	215128	1	Left Wheel and Tire
	215322	1	Right Wheel and Tire
	215106	2	Rim
	215121	2	Tire
15	215315	2	Ratcheting Hub (includes 2 Bushings 210405)
16	220168	2	1/4 x 1-1/2 Clevis Pin
17	34385	2	3/32 x 3/4 Cotter Pin
18	215317	2	Pawl
19	220169	2	Spring
20	215316	2	Keyed Hub
21	210370	1	96 Tooth Sprocket
22	34387	3	1/4 x 2-1/2 Cotter Pin
23	220177	1	3/8 x 4-3/4 Key
24	261294	1	Axle Shaft
25	210358	2	4-Bolt Flange Bearing
26	261393	1	Axle
27	261207	1	Right Hitch Bracket
28	220179	1	3/8 x 2 Key
29	210420	1	Chain for model 57 (#50 RC x 180 Links)
	210373	1	Chain for model 77 (#50 RC x 202 Links)
30	215320	1	Complete Jack
31	215323	1	Jack Pin & Chain
32	215331	1	Jack Crank
33	34052	4	1/4 Washer
34	210378	6	1-1/2 Thrust Washer
35	34312	4	3/8 x 3/8 Set Screw with locking patch (Loctite)
36	34407	1	3/8 x 2 Square Head Set Screw

**\*\*NOTE:** If two quantities are listed (e.g. 4/6), the first quantity applies for Model 57G, and the second applies for Model 77G.

## Rear Drive Assembly

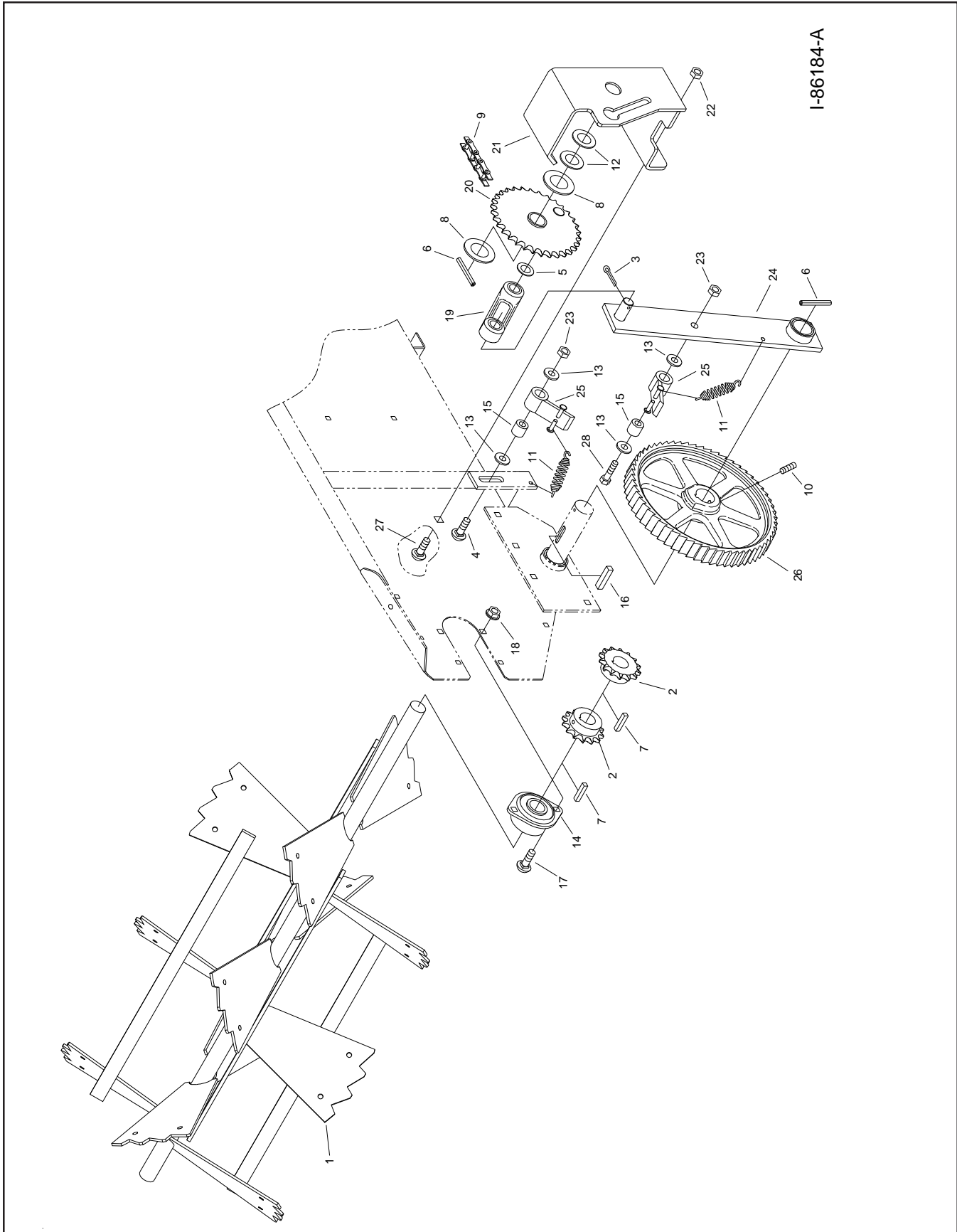


Figure A2 - Rear Drive Assembly Parts Detail



## Rear Drive Assembly (continued)

<u>Item #</u>	<u>MC Part #</u>	<u>Qty.</u>	<u>Component Description</u>
1	261509	1	Beater
2	210428	2	14 Tooth Sprocket (includes 2 set screws 34325)
3	34209	1	Cotter Pin
4	34266	1	1/2 x 2-1/2 Carriage Bolt
5	34201	1	3/4 SAE Washer
6	220181	2	3/16 x 2-3/4 Roll Pin
7	210130	2	Key 1/4 x 1
8	210378	2	1-1/2 Washer
9	210372	1	Chain #50 RC x 58 Links (includes connector link 210284)
10	34383	1	3/8 x 3/4 Set Screw
11	220104	2	Pawl Spring
12	260281	2	1-1/8 Washer
13	34227	4	1/2 SAE Washer
14	261407	2	1-1/8" 2-Flange Bearing
15	210375	2	Pawl Bushing
16	220176	1	Key 5/16 x 1-1/2
17	34191	4	3/8 x 3/4 Carriage Bolt
18	34009	4	3/8 Flange Nut
19	261229	1	Pitman Link (includes 2 bushings 210403)
20	261230	1	Crank Sprocket (includes bushing 210100)
21	261367	1	Crank Sprocket Bracket
22	34384	2	1/2 Flange Nut
23	34211	2	1/2 Nylon Lock Nut
24	261227	1	Crank Arm (includes bushing 210364)
25	261288	2	Pawl
26	210368	1	Ratchet Wheel
27	34112	2	1/2 x 1 Carriage Bolt
28	34230	1	1/2 x 3 Bolt

# Front Drive Assembly

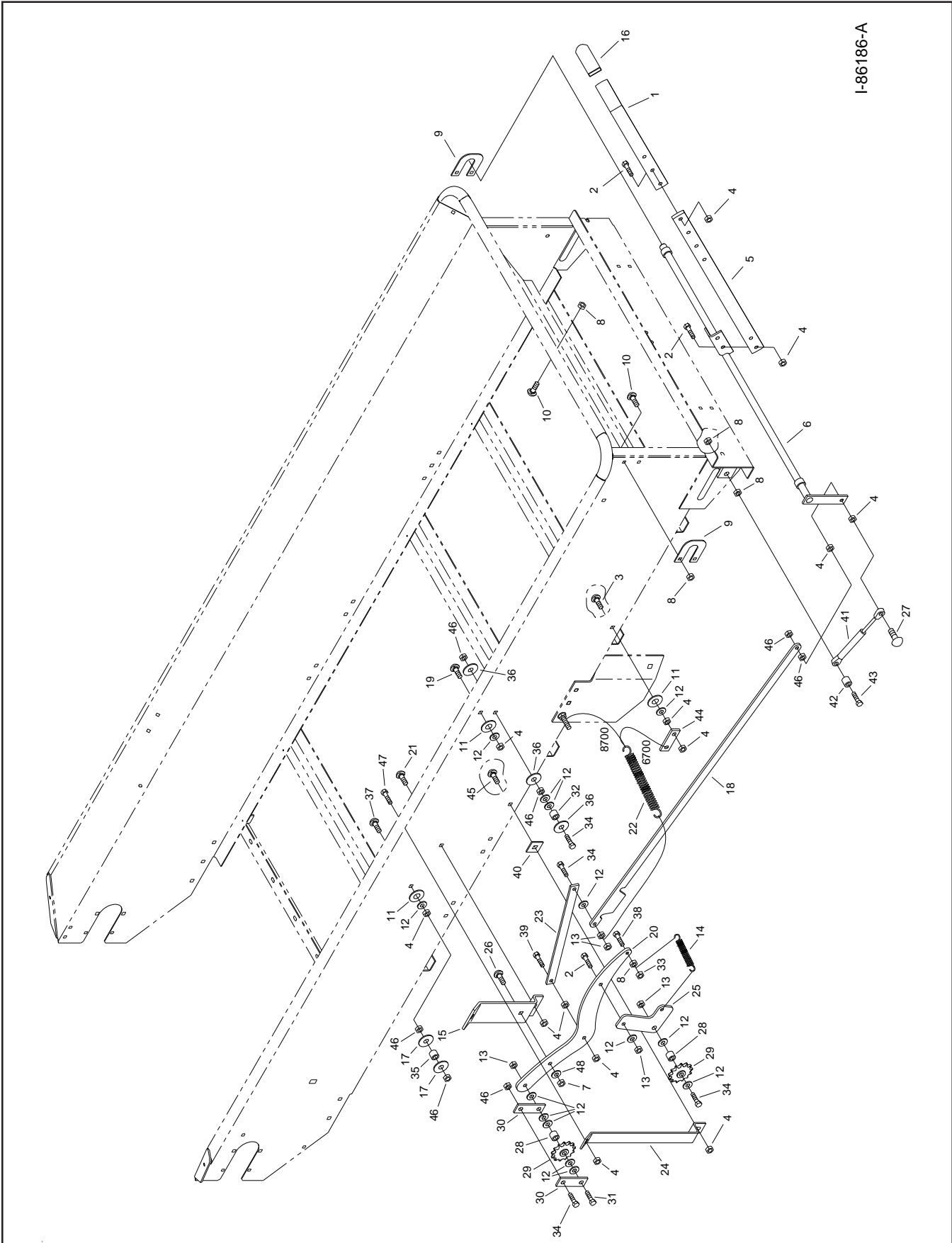


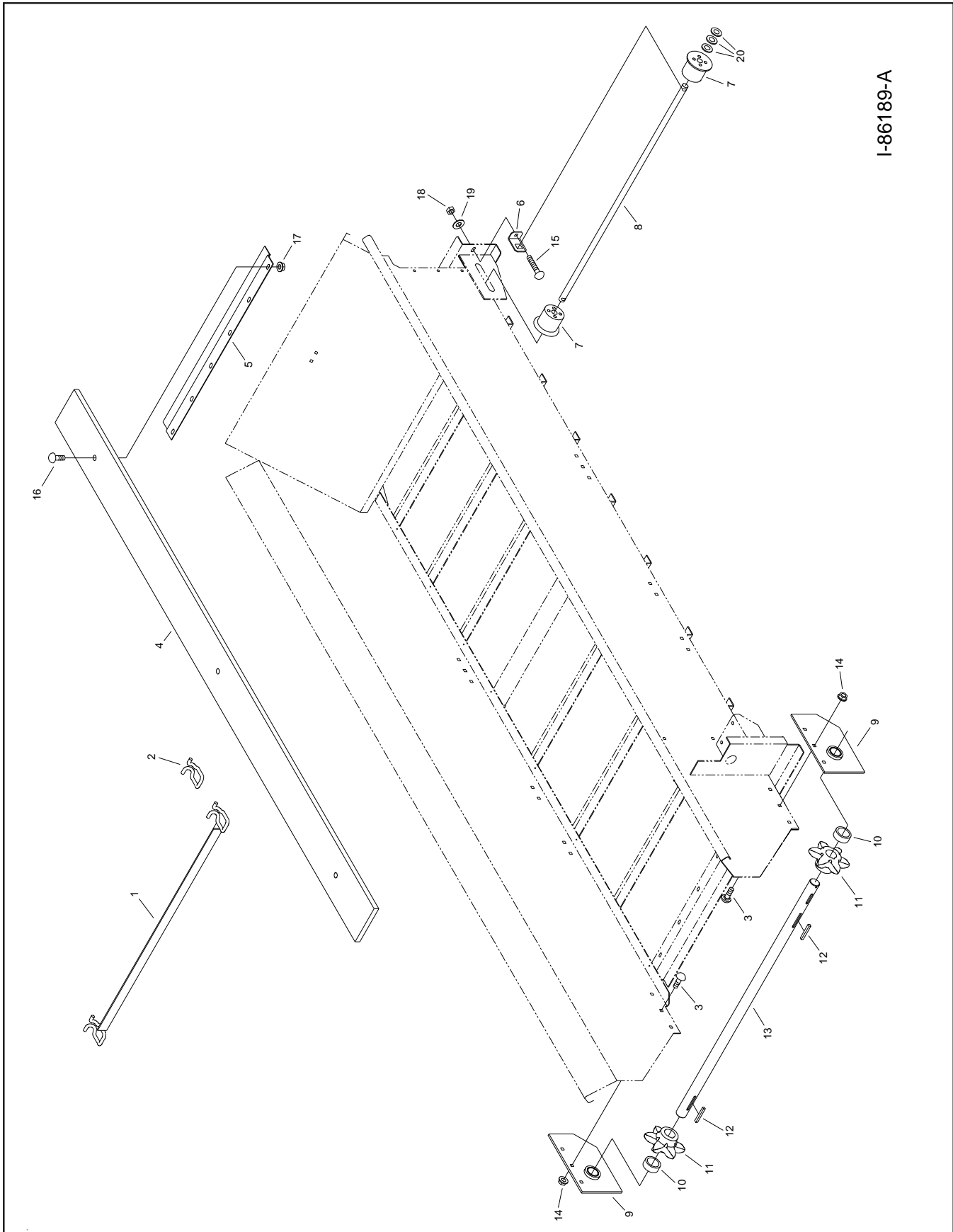
Figure A3 - Front Drive Assembly Parts Detail

## Front Drive Assembly (continued)

<u>Item #</u>	<u>MC Part #</u>	<u>Qty.**</u>	<u>Component Description</u>
1	261266	1	Extension Handle
2	34224	5	3/8 x 1-1/4 Bolt
3	34389	1/0	3/8 x 3-3/4 Bolt
4	34009	13	3/8 Flange Nut
5	261359	1	Lever
6	261280	1	Lever Pivot Shaft
7	34095	1	3/8 Stover Nut
8	34099	9	5/16 Flange Nut
9	261301	2	Lever Pivot
10	34337	6	5/16 x 1/2 Carriage Bolt
11	34094	3	1/2 Washer
12	34018	12	3/8 Washer
13	34220	5	3/8 Nylon Lock Nut
14	220171	1	Chain Tensioner Spring
15	261298	1	Lift Arm Bracket
16	220157	1	Rubber Sleeve
17	220182	2	3/8 Chamfered Washer
18	261394	1	Lift Arm Front Linkage 57
	261286	1	Lift Arm Front Linkage 77
19	34218	1/2	3/8 x 1-1/2 Carriage Bolt
20	261319	1	Lift Arm
21	34191	2	3/8 x 3/4 Carriage Bolt
22	220105	1	Long Spring
23	261435	1	Lift Arm Link
24	261300	1	Lift Arm Guide
25	261318	1	Idler Bracket
26	34305	1	3/8 x 1-1/4 Carriage Bolt
27	34219	1	3/8 x 2-1/2 Carriage Bolt
28	280262	2	Spacer
29	210433	2	Idler Sprocket
30	261379	2	Chain Guide Bracket
31	34242	1	3/8 x 2-1/2 Bolt
32	210408	1	Guide Roller
33	34223	1	5/16 Nylon Lock Nut
34	34252	4	3/8 x 1-3/4 Bolt
35	210377	1	Chain Guide Tube
36	34373	3	Large 3/8 Washer
37	34390	1	3/8 x 3-1/2 Carriage Bolt
38	34222	1	5/16 x 1-1/4 Bolt
39	34255	1	3/8 x 1-1/2 Bolt
40	261507	0/1	Square Washer
41	220163	1	Gas Shock
42	210342	1	Spacer
43	34257	1	5/16 x 1-1/2 Bolt
44	261508	1/0	Spring Bracket
45	34006	0/1	3/8 x 1 Carriage Bolt
46	34391	7	3/8 Center Lock Nut
47	34330	1	3/8 x 3/4 Flange Bolt
48	34057	1	5/16 Washer

**\*\*NOTE:** If two quantities are listed (e.g. 4/6), the first quantity applies for Model 57G, and the second applies for Model 77G.

# Apron Chain and Sprocket Assembly



I-86189-A

Figure A4 - Apron Chain and Sprocket Assembly Parts Detail

## Apron Chain and Sprocket Assembly (continued)

<u>Item #</u>	<u>MC Part #</u>	<u>Qty.**</u>	<u>Component Description</u>
1	261471	9/12	Apron Slat (w/links welded)
2	210421	116/154	Apron Chain Link
3	34191	6	3/8 x 3/4 Carriage Bolt
4	261480	6	57 Floor Board
	261482	6	77 Floor Board
5	260482	1/2	Poly Board Bracket
6	261587	2	Apron Tightener Bracket
7	220167	2	Plastic Idler
8	261465	1	Apron Idler Shaft
9	261213	2	Apron Shaft Bracket
10	261490	2	Spacer
11	210360	2	Apron Sprocket
12	220189	2	5/16 x 2 Key
13	261219	1	Apron Shaft
14	34009	6	3/8 Flange Nut
15	34389	2	3/8 x 3-3/4 Carriage Bolt
16	34320	12/18	5/16 x 1-1/4 Carriage Bolt
17	34099	12/18	5/16 Flange Nut
18	34220	2	3/8 Nylon Stop Nut
19	34018	2	3/8 Washer
20	34201	6	3/4 Washer

**\*\*NOTE:** If two quantities are listed (e.g. 4/6), the first quantity applies for Model 57G, and the second applies for Model 77G.

## Safety Shields & Guards

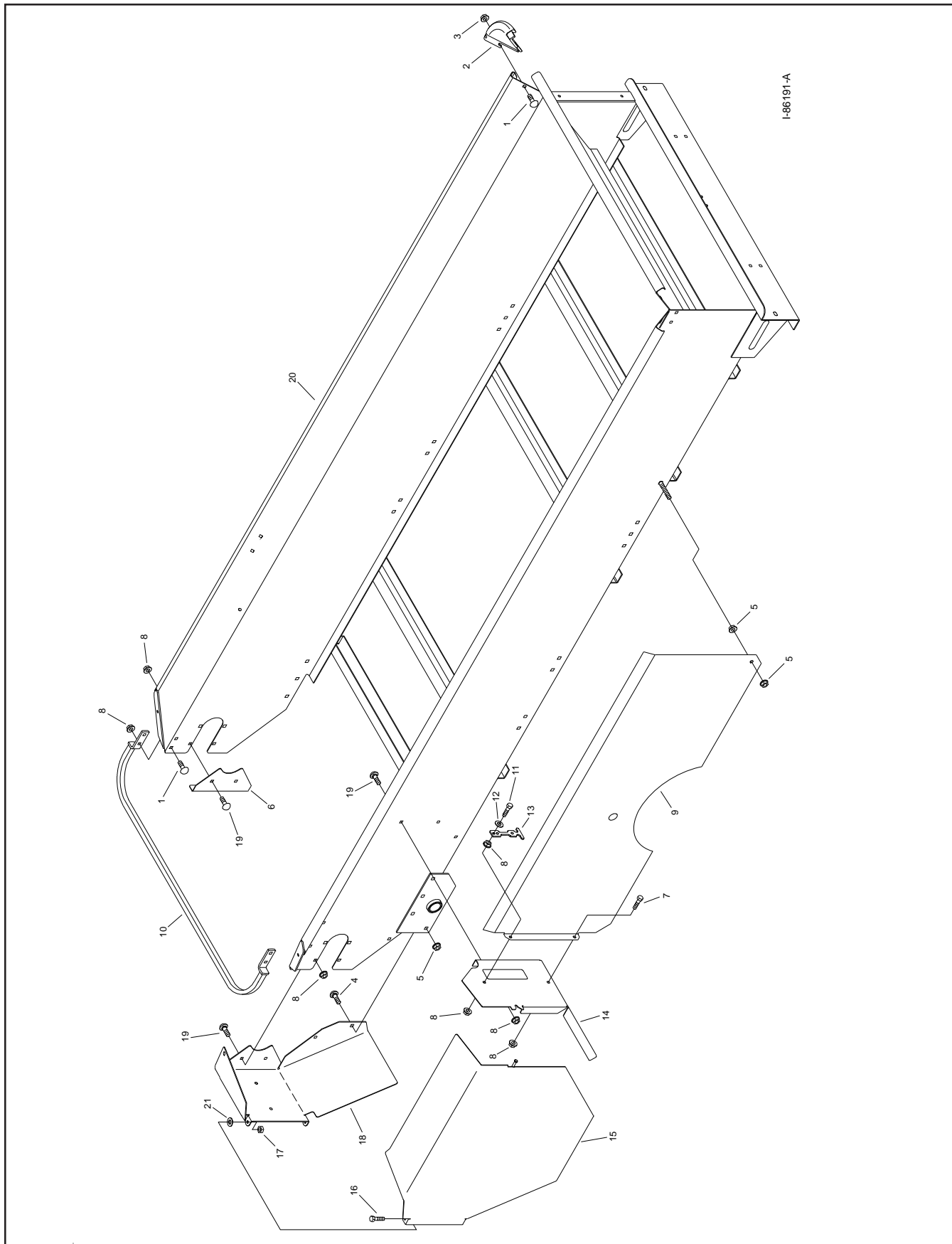


Figure A5 - Safety Shields and Guards Parts Detail

## Safety Shields (continued)

<u>Item #</u>	<u>MC Part #</u>	<u>Qty.**</u>	<u>Component Description</u>
1	34274	8	5/16 x 3/4 Carriage Bolt
2	215314	2	Cast Corner
3	34367	4	5/16 Large Flange Nut
4	34191	1	3/8 x 3/4 Carriage Bolt
5	34009	3/2	3/8 Flange Nut
6	261290	1	Left Rear Guard
7	34136	1	5/16 x 1/2 Flange Bolt
8	34099	13	5/16 Flange Nut
9	261398	1	Side Shield (57)
	261314	1	Side Shield (77)
10	261238	1	Beater Guard Bar
11	34222	1	5/16 x 1-1/4 Bolt
12	34057	1	5/16 Washer
13	220113	1	Rubber Latch
14	261313	1	Front of Rear Shield
15	261378	1	Rear Shield Door
16	34200	2	5/16 x 3/4 Bolt
17	34072	2	5/16 Stover Nut
18	261291	1	Back Shield
19	34337	8	5/16 x 1/2 Carriage Bolt
20	261390	1	Box 57 GD
	261273	1	Box 77 GD
21	34052	1	1/4 Washer

**\*\*NOTE:** If two quantities are listed (e.g. 4/6), the first quantity applies for Model 57G, and the second applies for Model 77G.





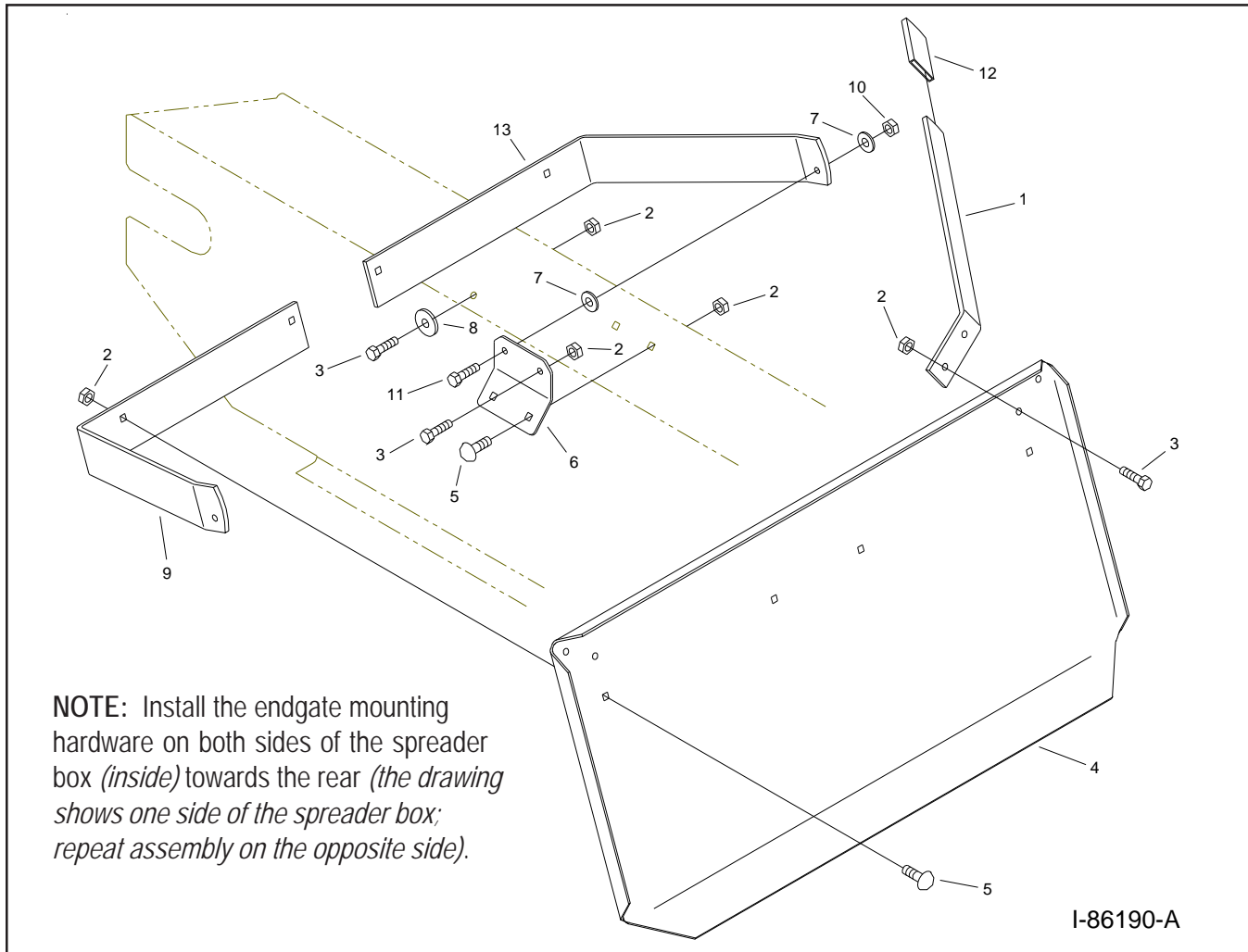
## APPENDIX B: SPREADER OPTIONS PARTS REFERENCE

The following options are available for Model 57G and 77G Ground Drive Spreaders. Please refer to the appropriate parts/assembly drawings provided in this Appendix. Some options come pre-assembled on the spreader from the factory; others may require assembly/installation. Please contact Millcreek for additional instructions as needed if the appropriate instructions have not been included with your shipment.

### **Model 57G / 77G Spreader Options**

- Manual End Gate
- Fines Pan
- Safety Chain

## Endgate Assembly



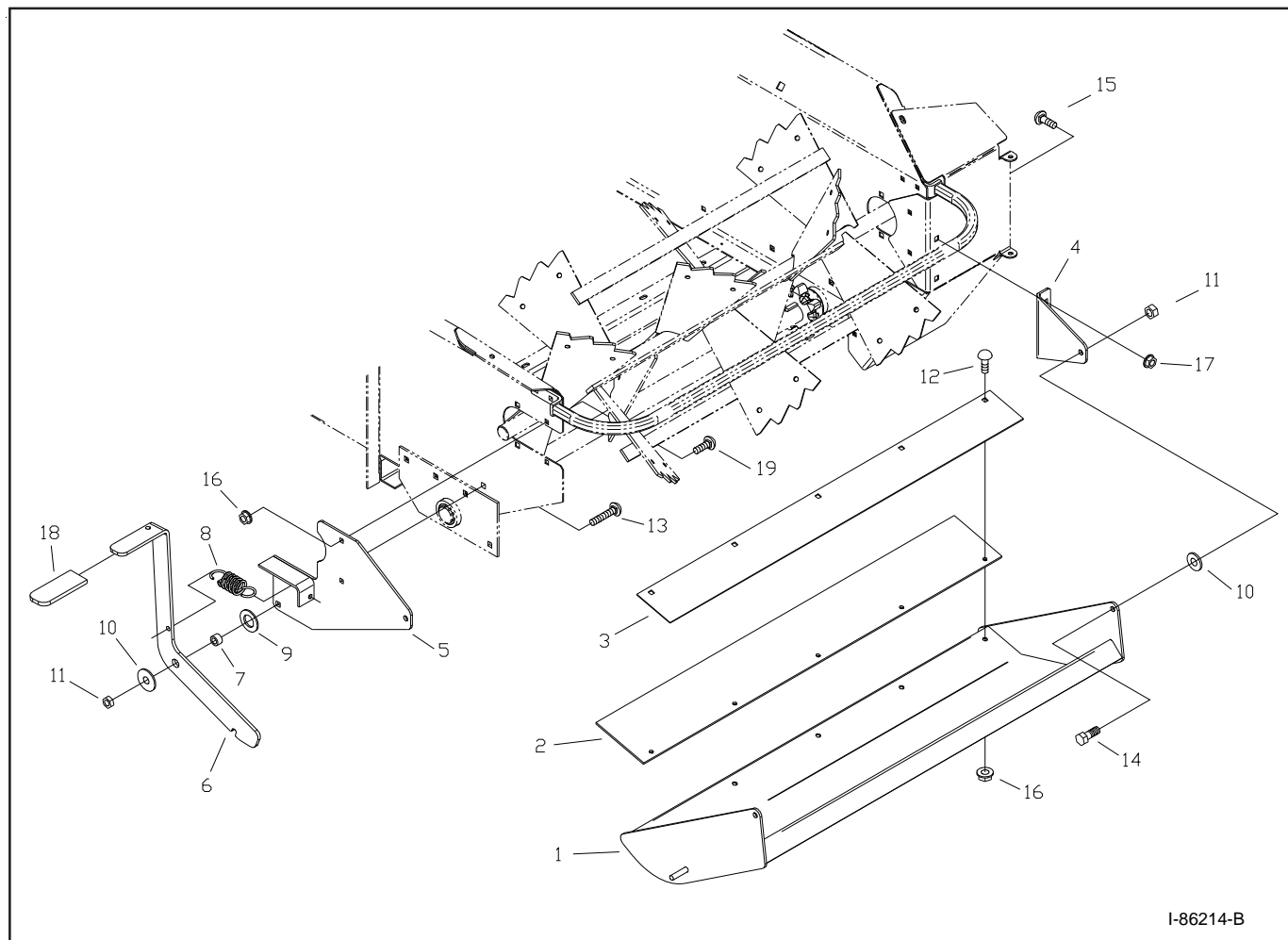
**Figure B1 - Endgate Parts Detail**

<b>Item #</b>	<b>MC Part #</b>	<b>Qty.</b>	<b>Component Description</b>
1	261365	1	Endgate Handle
2	34367	14	5/16 Flange Nut
3	34328	6	5/16 x 3/4 Flange Bolt
4	261221	1	Endgate
5	34274	8	5/16 x 3/4 Carriage Bolt
6	261361	2	Endgate Bracket
7	34057	4	5/16 Washer
8	34373	2	3/8 Large Washer
9	261688	1	Endgate Frame RH
10	34072	2	5/16 Stover Nut
11	34336	2	5/16 x 1 Flange Bolt
12	220157	1	Rubber Sleeve
13	261689	1	Endgate Frame LH

### **Assembling the Endgate on the Spreader**

1. Install the two (2) endgate mounting plates on the inside of the spreader box, using the nuts and bolts provided. Note that the upper half of each bracket will extend above the top of the spreader box.
2. Mount the endgate frame on the endgate mounting plates (on each side), using the hardware provided. Be sure to install the 5/16" washers and lock nuts in sequence as shown; these create the pivot point for the endgate. **DO NOT** overtighten the lock nuts (e.g. Millcreek recommends that you just tighten the lock nuts, then loosen 1/4 turn to allow for proper movement of the endgate.)
3. Mount the endgate on the frame, using the 5/16 x 3/4" carriage bolts and nuts provided.
4. Install the protective endgate stop pieces on each side of the spreader box (**item #'s 2, 3, 8**).
5. Assemble the endgate handle to the endgate using the hardware provided.

## Fines Pan Assembly



I-86214-B

**Figure B2 - Fines Pan Parts Detail**

<u>Item #</u>	<u>MC Part #</u>	<u>Qty.</u>	<u>Component Description</u>
1	261573	1	Fines Pan
2	260540	1	Rubber Seal
3	261579	1	Hold Down Plate
4	261568	1	Bracket RH
5	261574	1	Bracket LH
6	261576	1	Lever
7	260998	1	Spacer
8	220171	1	Spring
9	34300	1	3/4 SAE Washer
10	34018	3	3/8 Flat Washer
11	34391	3	3/8 Center Lock Nut
12	34320	5	5/16 x 1-1/4 Carriage Bolt
13	34218	1	3/8 x 1-1/2 Carriage Bolt
14	34190	2	3/8 x 1 Bolt
15	34191	2	3/8 x 3/4 Carriage Bolt
16	34099	7	5/16 Flange Nut
17	34009	2	3/8 Flange Nut
18	220157	1	Rubber Handle
19	34274	2	5/16 x 3/4 Carriage Bolt

## **Assembling the Fines Pan on the Spreader**

1. Refer to the **Safety Shields & Guards** drawing, **Appendix A**. Remove the **Left Rear Guard (items #6, 8, 19)** to accommodate the installation of the fines pan mounting bracket.
2. Refer to the **Figure B2**. Install the lefthand (LH) fines pan mounting bracket (**item #5**) on the left rear of the spreader box, using the hardware provided.
3. Install the lever (**item #6**) onto the LH mounting bracket, assembling the hardware (provided) in the following order:
  - (a) Install the 3/8 x 1-1/2 carriage bolt (**item #13**) through the side sheet of the spreader box and the LH mounting bracket.
  - (b) Assemble the spacer (**item #7**) and the 3/4 SAE washer (**item #9**) onto the carriage bolt.
  - (c) Hook the spring (**item #8**) onto the LH mounting bracket and also onto the lever (**item #6**).
  - (d) Install the lever onto the carriage bolt/spacer assembly.
  - (e) Install the 3/8 flat washer (**item #10**) and 3/8 center lock nut (**item #11**) onto the lever.
4. Open the rear shield door on the right rear side of the spreader box. Install the righthand (RH) fines pan mounting bracket (**item #4**) on the right rear of the spreader box, using the hardware provided.

**NOTE:** The 3/8 x 3/4 carriage bolt (**item #15**) is installed from the inside through the back shield. When assembly of the RH mounting bracket is complete, close the rear shield door and fasten the strap.
5. Assemble **item #'s 1, 2, and 3** as shown in Figure B2 to form the fines pan.
6. Mount the fines pan to the LH/RH mounting brackets, using the hardware provided.
7. Set the fines pan for operation by stepping or pushing forward on the kick plate; doing so engages the spring (attached to the lever). Note that the knob on the fines pan should fit into the notch cutout on the lever.
8. To open the fines pan for operation, pull front on the lever (i.e. towards the tractor).

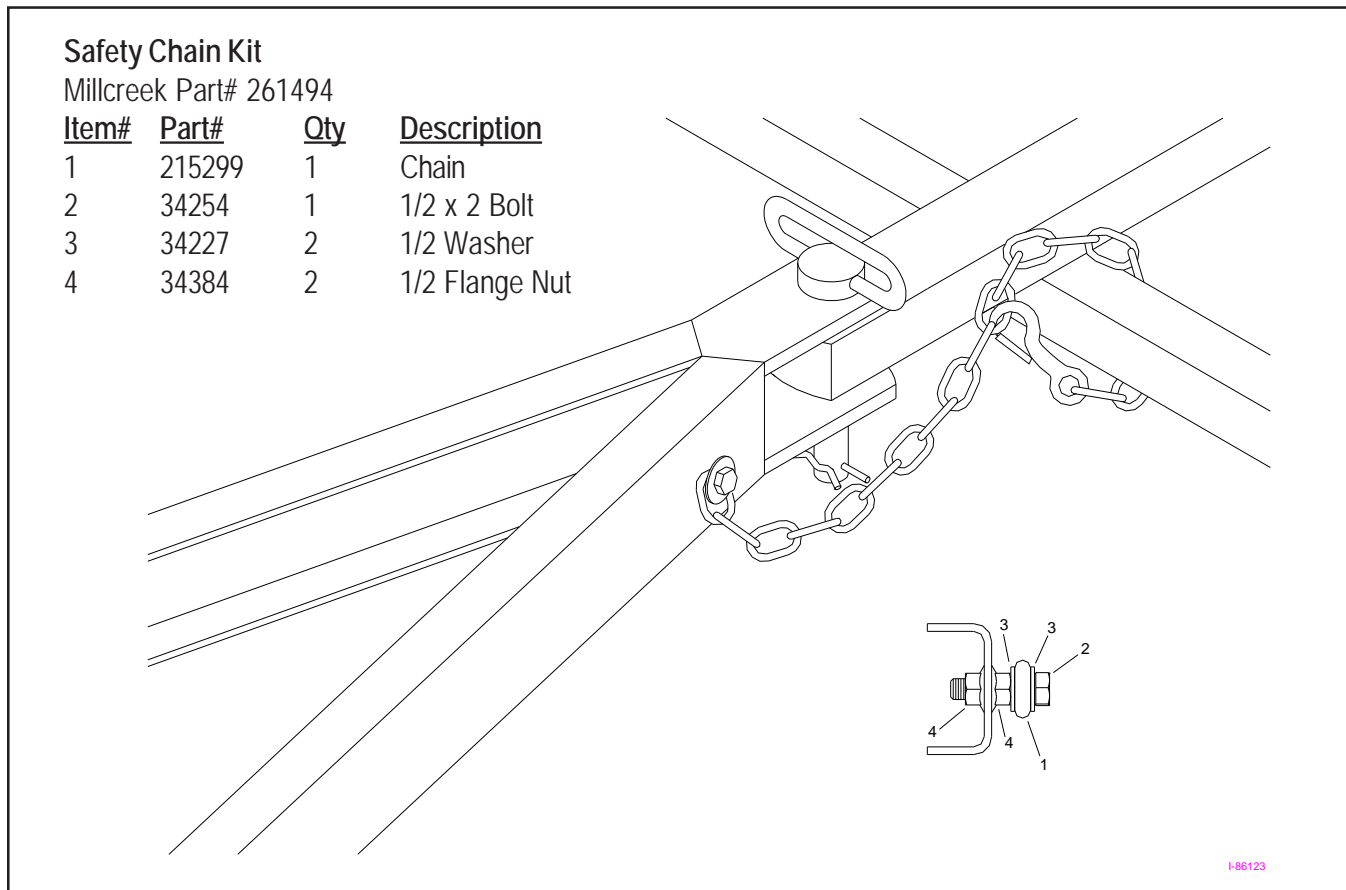
## Safety Chain Assembly

**NOTE:** *The safety chain may be ordered as an optional component for the Millcreek 57G/77G Ground Drive Spreaders and is strongly recommended if the spreader is to be moved any time on a public roadway.*

1. Refer to Figure B3 for an illustration of the hook-up of the safety chain.
2. Attach the chain to the spreader hitch as shown, using the hardware provided (1/2-inch bolt, flat washer, lock nut).
3. Wrap the hook end of the chain around the tractor drawbar support or other structural member of the tractor frame and connect it as shown.



**WARNING:** For the safety chain to be effective, the installation of the chain should not allow more slack than is necessary for movement during spreader operation. Inspect the safety chain regularly to check the condition of the links and locking/hooking mechanisms; replace the chain as soon as weakness/breakage is noted.



**Figure B3 - Attaching the Safety Chain**